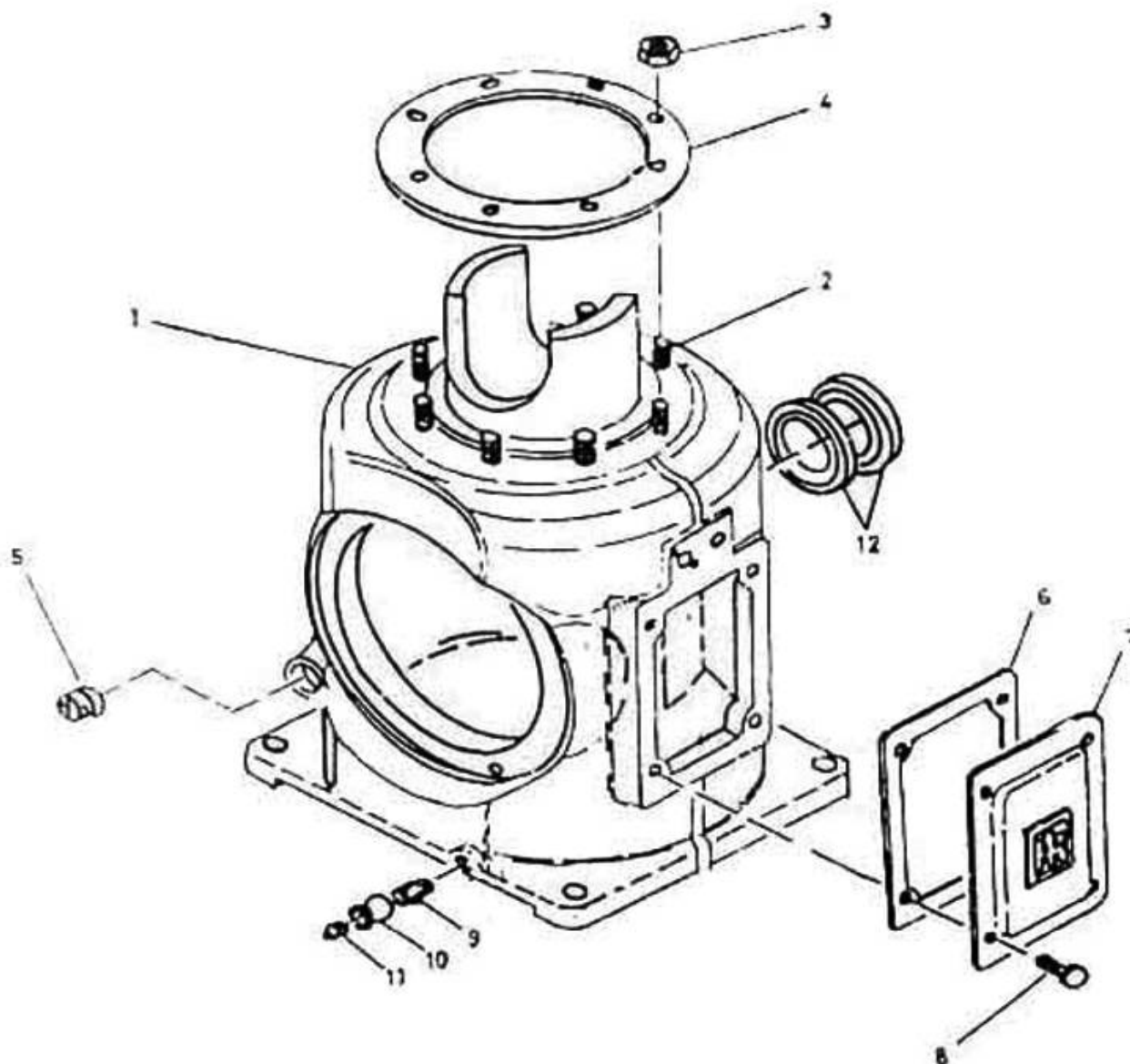


3. Frame Complete - Model 7 x 5 LUB



All manufacturer's names, numbers, photos, product description and/or part numbers are used for reference purposes only & it is not implied that any part listed is the product of these manufacturers. Since Approvement are made from time to time, the illustration and specifications are subject to change without notice.

3. Frame Complete - Model 7 x 5 LUB

| COMPRESSOR PARTS LIST | | | | | | |
|--------------------------------|-------------------------|-----------|-----|------|----------|--------------------|
| ASSEMBLY NAME : FRAME COMPLETE | | | | | | |
| ASSEMBLY DRAWING : FIG-1A | | | | | | |
| SR. NO. | DESCRIPTION | PART NO. | QTY | UNIT | LLUS NO. | RECOM. SPARES QTY. |
| 1 | FRAME | 3055 6401 | 1 | NO. | 1 | |
| 2 | STUD 5/8" X 2-1/2" | 9505 6180 | 8 | NO. | 2 | |
| 3 | NUT HEX 5/8" | 9507 7814 | 8 | NO. | 3 | |
| 4 | GASKET FRAME | 3955 0223 | 1 | NO. | 4 | 1 |
| 5 | GLASS SIGHT FLOW | 3913 7245 | 1 | NO. | 5 | |
| 6 | COVER FRAME | 3956 6872 | 1 | NO. | 6 | |
| 7 | GASKET COVER FRAME | 3056 2235 | 1 | NO. | 7 | 1 |
| 8 | SCREW CAP HEX 1/2" X 1" | 9510 4147 | 4 | NO. | 8 | |
| 9 | NIPPLE 1/2" X 2-1/2" | 9504 9177 | 1 | NO. | 9 | |
| 10 | COUPLING 1/2" | 9501 1094 | 1 | NO. | 10 | |
| 11 | PLUG PIPE SQ. HD 1/2" | 9503 3619 | 3 | NO. | 11 | |
| 12 | SEAL CRANKSHAFT OIL | 9522 5660 | 2 | NO. | 12 | 2 |
| 13 | PLUG PIPE SQ. HD 3/4" | 9500 2143 | 2 | NO. | | |
| 14 | PLUG 1-1/4" | 9503 3569 | 1 | NO. | | |

All manufacturer's names, numbers, photos, product description and/or part numbers are used for reference purposes only & it is not implied that any part listed is the product of these manufacturers. Since Approvement are made from time to time, the illustration and specifications are subject to change without notice.